

CRTB5

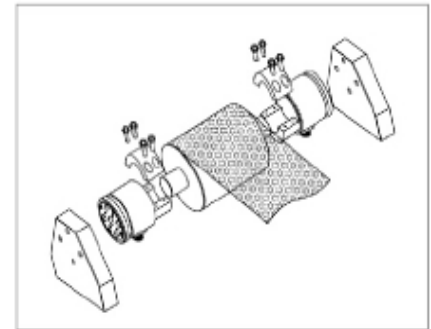
Web Tension Load Cell (10kgf ~ 200kgf)

FEATURE

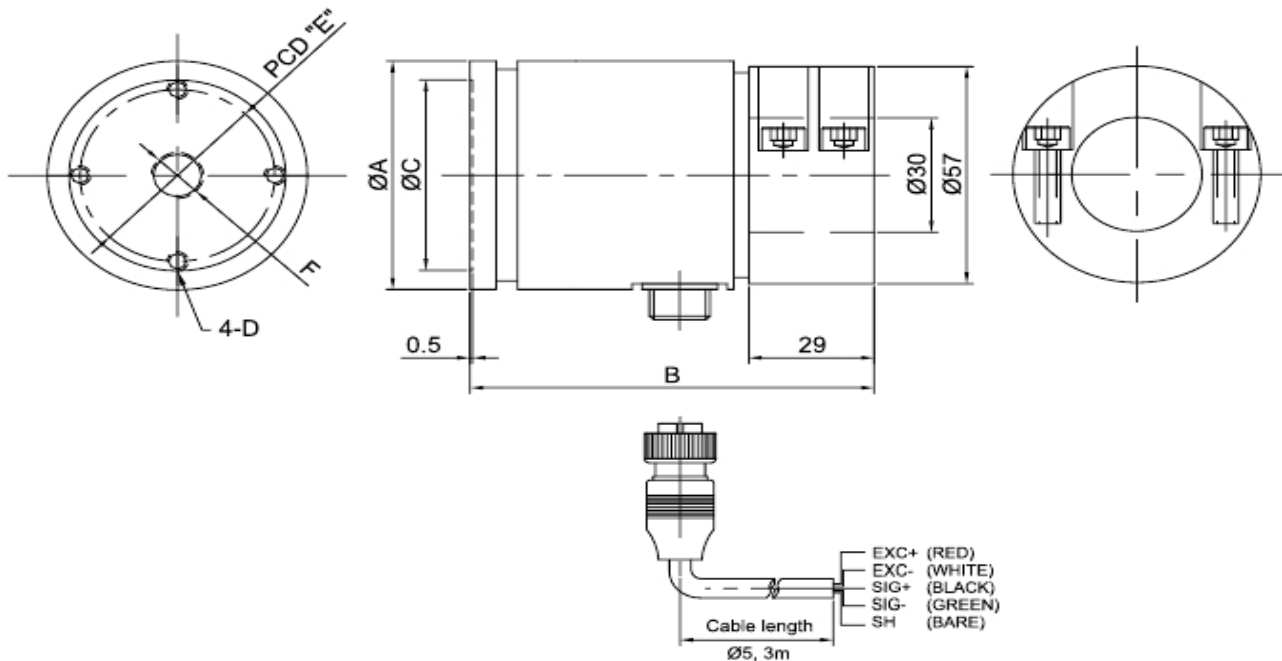
- . Web tension load cell
- . Suitable for measuring the tension of a wire or roll

SPECIFICATION

MODEL	CRTB5
Rated capacity (R.C.)	10, 20, 50, 100, 200kgf
Rated output (R.O.)	1.0 ± 0.05 mV/V
Zero balance	0 ± 0.02 mV/V
Combined error	0.05% R.O.
Repeatability	0.05% R.O.
Creep for 30 min	0.05% R.O.
Temp. effect on zero value	0.05% / 10°C
Temp. effect on output value	0.1% / 10°C
Excitation recommended	10V DC
Terminal resistance, input	350 ± 30Ω
Terminal resistance, output	350 ± 2Ω
Insulation resistance	> 2000MΩ @ 50V DC
Compensated temperature range	-10 to +60°C
Operating temperature range	-10 to +80°C



- Cable
Braided shield 4-wire round cable
with PVC-jacket



DIMENSION (mm)

Rated Capacity	Ø A	B	Ø C	D	E	F
10, 20, 50kgf	60	93.5	50	M5 DP15	45	M12
100, 200kgf	66.5	102	60	M8 DP15	51	M16