

FEATURE

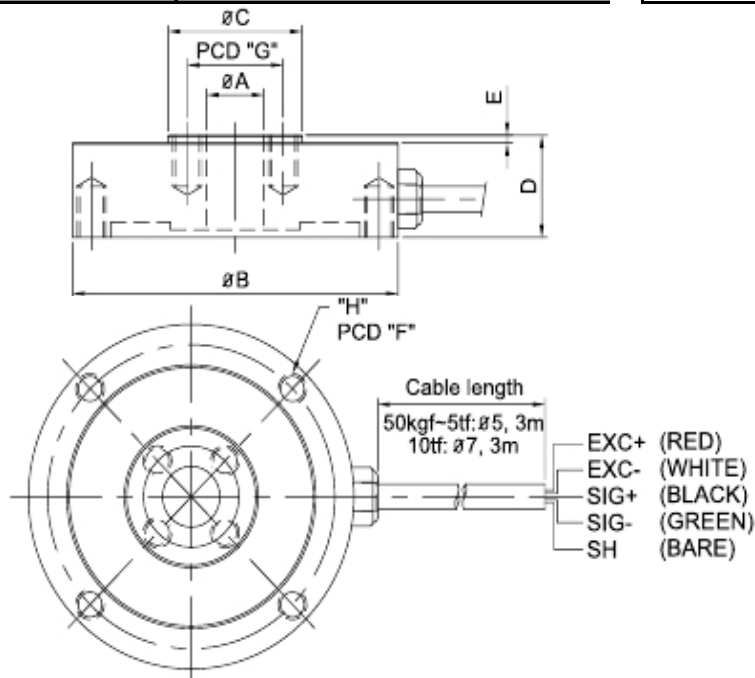
- . Center Hole Type compression load cell
- . Robust construction, high strength alloy steel
- . Used for pressure measurement of tunnel, bridges etc

SPECIFICATION

MODEL	CWW1
Rated capacity (R.C.)	50, 100, 200, 500 kgf 1, 2, 3, 5, 10tf
Rated output (R.O.)	1.5 mV/V \pm 0.4%
Zero balance	\pm 0.5% R.O.
Combined error	1.0% R.O.
Repeatability	0.5% R.O.
Creep for 30 min	0.05% R.O.
Temp. effect on zero value	0.1% / 10 °C
Temp. effect on output value	0.05% / 10 °C
Excitation maximum	10V DC
Terminal resistance, input	700 \pm 10 Ω
Terminal resistance, output	700 \pm 5 Ω
Insulation resistance	> 2000M Ω @ 50V DC
Compensated temperature range	-10 to +60 °C
Operating temperature range	-20 to +70 °C



- Cable
Braided Shield 4-wire round cable with PVC-jacket
50kgf~5tf : ϕ 5mm, 4core 3m
10tf : ϕ 7mm, 4core 3m



DIMENSION (mm)

Rated Capacity	ϕA	ϕB	ϕC	D	E	F	G	H
50, 100, 200, 500kgf	10	55	22	15	2	48	16	2 \times 4-M4DP6
1, 2, 3, 5tf	12	68	28	20	1.5	60	20	2 \times 4-M4DP10
10tf	50	148	80	37	5	132	35	2 \times 6-M8DP15