

FEATURE

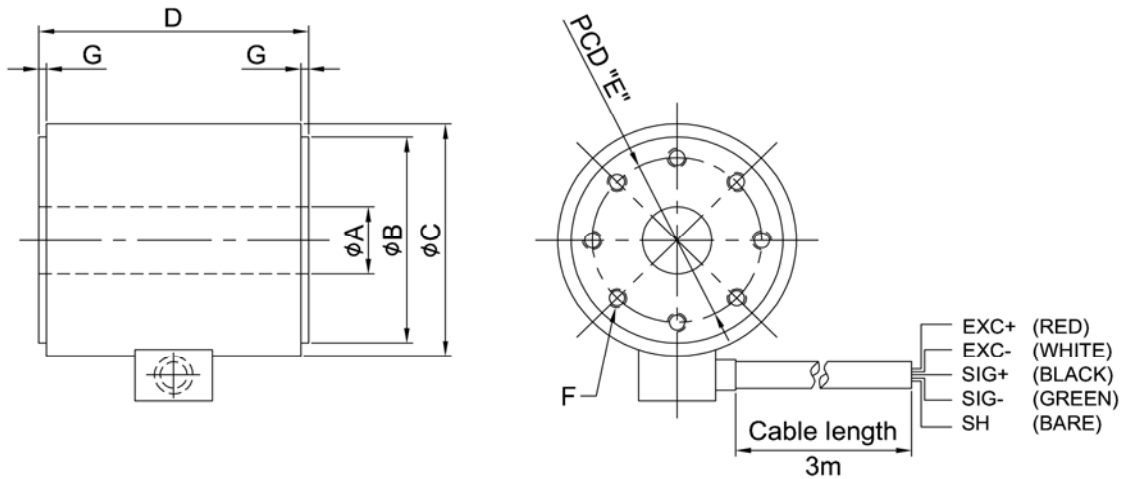
- . Center hole type compression load cell
- . Used for pressure measurement of indentation load test, tunnel and bridges etc
- . Protection class : IP64

SPECIFICATION

MODEL	CWH
Rated capacity (R.C.)	500kgf, 1, 2, 3, 5, 10 tf 20, 50, 100, 200 tf
Rated output (R.O.)	1.0 mV/V \pm 0.4%
Zero balance	\pm 2% R.O.
Combined error	1.0% R.O.
Repeatability	0.2% R.O.
Creep for 30 min	0.1% R.O.
Temp. effect on zero value	0.1% / 10 $^{\circ}$ C
Temp. effect on output value	0.05% / 10 $^{\circ}$ C
Excitation maximum	10V DC
Terminal resistance, input	700 \pm 50 Ω (500kgf:350 Ω)
Terminal resistance, output	750 \pm 2 Ω (500kgf:350 Ω)
Insulation resistance	> 2000M Ω @ 50V DC
Compensated temperature range	-10 to +60 $^{\circ}$ C
Operating temperature range	-20 to +70 $^{\circ}$ C



- Cable
Braided Shield 4-wire round cable
with PVC-jacket



DIMENSION (mm)

Rated Capacity	ϕ A	ϕ B	ϕ C	D	E	F	G
500kgf	10	24	40	50	18	2x4-M4 DP10	1
1, 2, 3, 5tf	18	55	62	70	44	2x8-M5 DP10	2
10tf	18	55	62	80	44	2x8-M5 DP10	2
20tf	43	68	96	80	56	2x8-M6 DP10	3
50tf	80	112	130	110	96	2x6-M8 DP10	3
100tf	85	118	158	110	102	2x6-M12 DP10	3
200tf	120	162	240	120	140	2x6-M12 DP12	3