

FEATURE

- . Stainless steel structure
- . Protection class : IP67

SPECIFICATION

MODEL	CBSS
Rated capacity (R.C.)	500 kgf, 1, 2, 3, 5 tf
Rated output (R.O.)	2.0 ± 0.005 mV/V
Zero balance	0 ± 0.02 mV/V
Combined error	0.03% R.O.
Repeatability	0.01% R.O.
Creep for 30 min	0.03% R.O.
Temp. effect on zero value	0.028% / 10°C
Temp. effect on output value	0.014% / 10°C
Excitation recommended	10V DC
Excitation maximum	15V DC
Terminal resistance, input	350 ± 3.5Ω
Terminal resistance, output	350 ± 3.5Ω
Insulation resistance	>2000MΩ @ 50V DC
Compensated temperature range	-10 to +40°C
Operating temperature range	-30 to +80°C



- Mounting

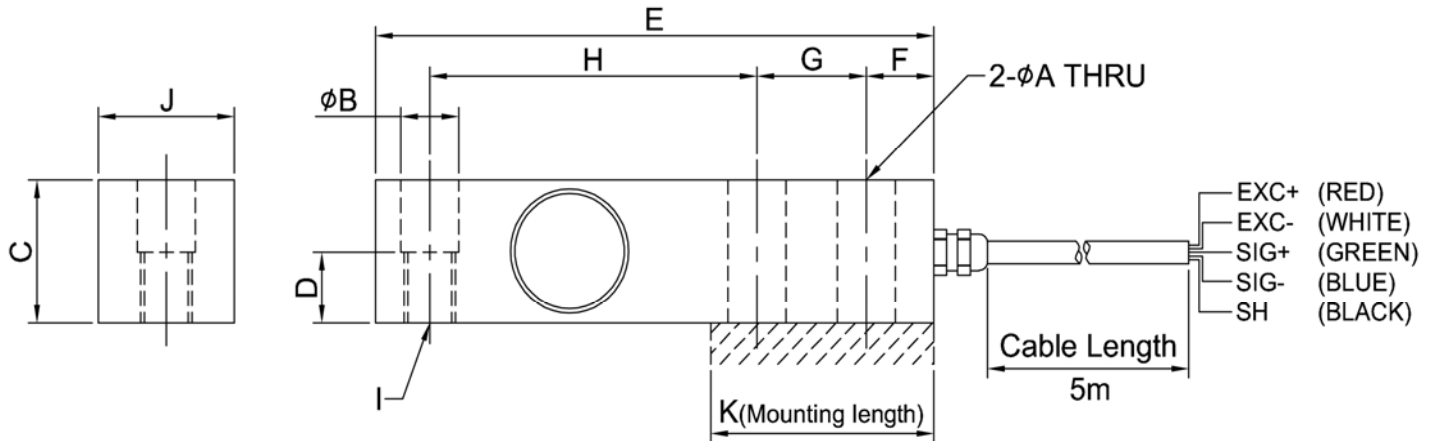
Capacity	Hexagon head-Bolt	Tightening torque
500kgf ~2tf	M12 x 1.75(10.9)	100Nm
3tf ~ 5tf	M18 x 1.5(10.9)	350Nm

- Material

Stainless steel

- Cable

Braided Shield 4-wire round cable with PVC-jacket



DIMENSION (mm)

Rated Capacity	φA	φB	C	D	E	F	G	H	I	J	K
500kgf, 1, 2tf	13.5	13.5	31.7	15.8	130	15.8	25.4	76.2	M12x1.75	31.7	52
3, 5tf	20	20	38.1	19.1	171.5	19	38.1	95.3	M18x1.5	38	76.2