

## FEATURE

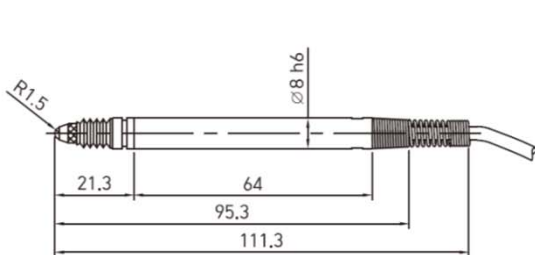
- . High precision, low price
- . Excellent repeatability and suitable for repeated measurement of mass production line
- . Various measuring instruments can be used depending on the number of measurement points.



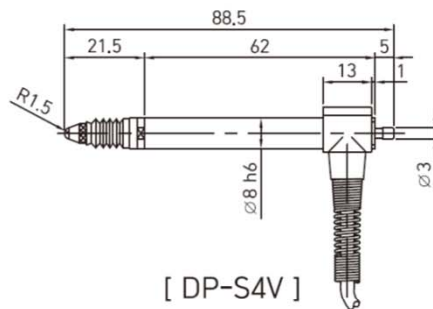
## SPECIFICATION

MODEL	DP-S4	DP-S4V	DP-10	DP-10V
Plunger retraction	Standard	Vacuum	Standard	Vacuum
Moving Stroke (mm)	4.95		10.45	
Measuring Range (mm)	4		10	
Linearity Error (%)	± 0.1 ( ±1.0mm)		± 0.1 ( ±3.0mm)	
Measuring Force (g)	4~90g		30~80g	
Cable Length (m)	2.2		3	
Outside Diameter (mm)	ø8			
Weight (g)-except cable	about 17	about 22	about 20	about 26
Temperature Range (°C)	0~40			

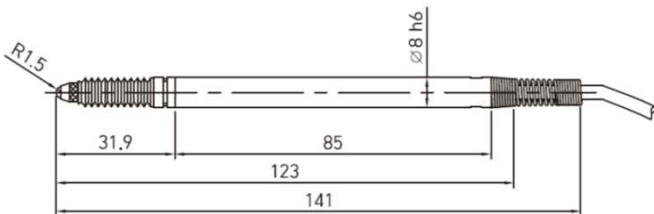
## DIMENSION (mm)



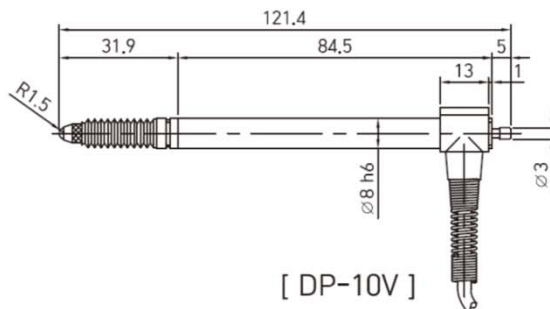
[ DP-S4 ]



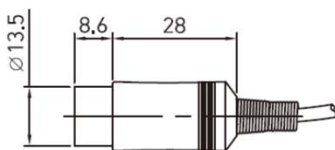
[ DP-S4V ]



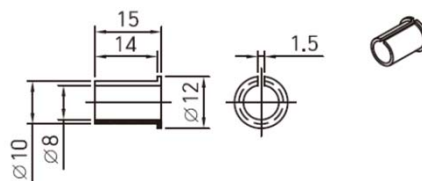
[ DP-10 ]



[ DP-10V ]



[ Connector detail ]



[ Bushing ]