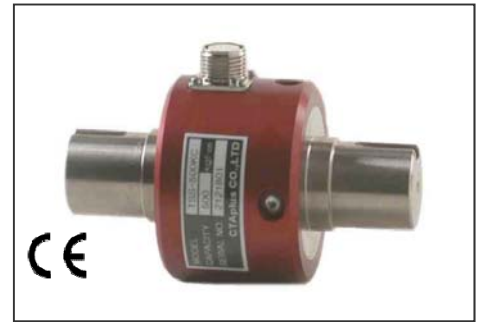


### FEATURE

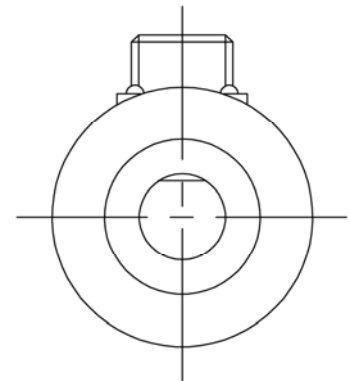
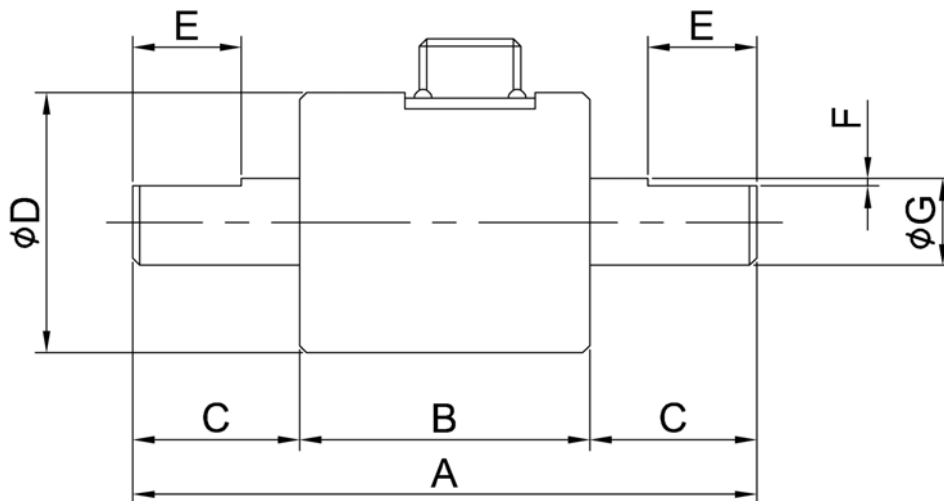
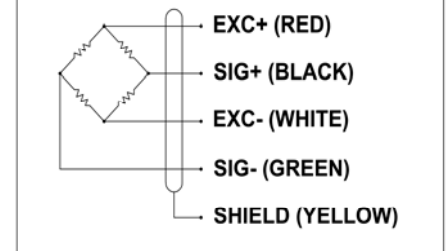
- . Shaft type reaction torque sensor
- . Compact design and easy to install
- . Torque measurement in stationary equipment or within 0-90 degree angle
- . Torque measurement for product breaking test, reducer, various actuator
- . Suitable for micro torque control and torque measurement of handle system
- . High-capacity customizable : 300kgf.m



### SPECIFICATION

MODEL	TSS
Rated capacity (R.C.)	10, 20, 50, 100, 200, 500, 1000, 2000, 5000, 10000 kgf.cm
Rated output (R.O.)	1.5 ± 0.4mV/V
Non-linearity	≤ 0.3% R.O.
Hysteresis	≤ 0.3% R.O.
Non-repeatability	≤ 0.3% R.O.
Terminal resistance, input	350Ω ± 1%
Terminal resistance, output	350Ω ± 1%
Insulation resistance	> 1000MΩ @30V DC
Temp. effect on rated output	≤ 0.1% LOAD/10°C
Temp. effect on zero balance	≤ 0.1% R.O./10°C
Temp. range compensated	-10 to 60°C
Excitation Voltage	5V, 10V DC
Safe overload	150% R.C.
Cable	φ7 shield 5m

### WIRING INFORMATION



### DIMENSION (mm)

Rated Capacity	A	B	C	φD	E	F	φG
10, 20, 50 kgf.cm	86	40	23	36	15	1	12
100 kgf.cm	86	40	23	38	15	6 x 6	18
200, 500 kgf.cm	89	43	23	48	15	8 x 7	24
1000, 2000 kgf.cm	110	46	32	58	22	10 x 8	32
5000, 10000 kgf.cm	145	55	45	84	30	16 x 10	58