

TRFF

Flange Type Rotary Torque Transducer (20kgf·m)

FEATURE

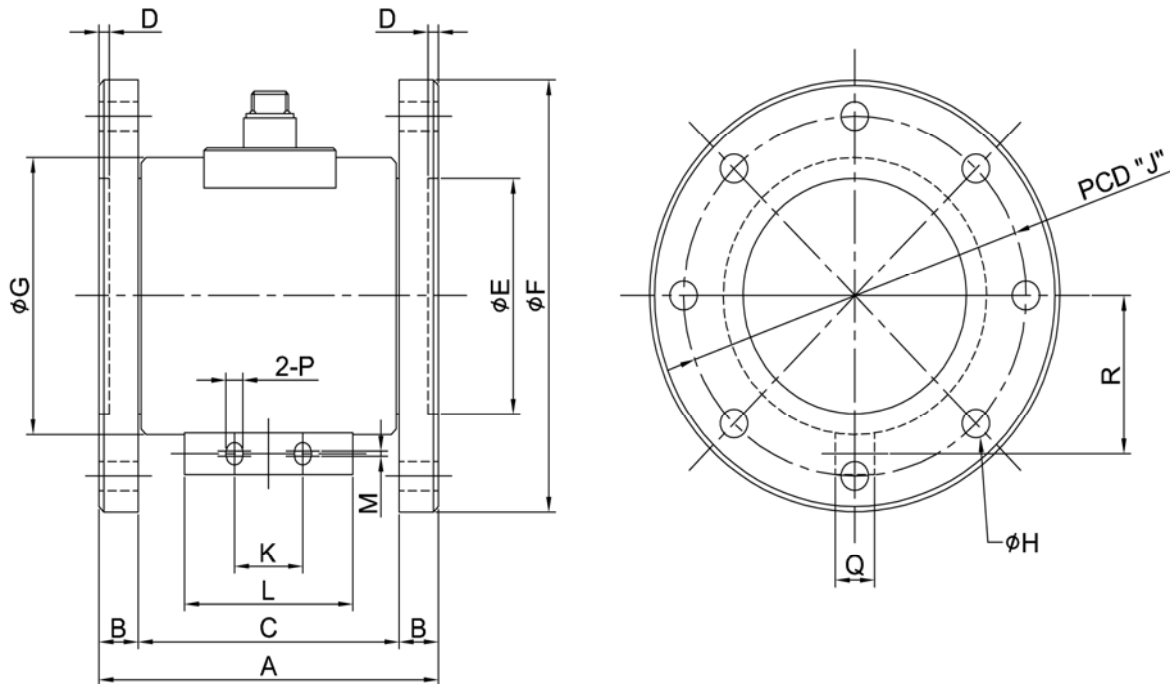
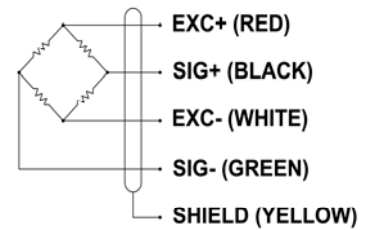
- . Flange type rotary torque sensor
- . Static and dynamic torque measurement of rotating equipment
- . Torque measurement at automobile parts production line, stirrer, bolt tightening force

SPECIFICATION

MODEL	TRFF
Rated capacity (R.C.)	20kgf·m
Rated output (R.O.)	1.5 ± 0.4mV/V
Non-linearity	≤ 0.3% R.O.
Hysteresis	≤ 0.3% R.O.
Non-repeatability	≤ 0.3% R.O.
Terminal resistance, input	350Ω ± 1%
Terminal resistance, output	350Ω ± 1%
Insulation resistance	> 1000MΩ@30V DC
Temp. effect on rated output	≤ 0.1% LOAD/10°C
Temp. effect on zero balance	≤ 0.1% R.O./10°C
Temp. range compensated	-10 to 60°C
Excitation Voltage	5V,10V DC
Safe overload	150% R.C.
Cable	φ7 shield 5m



WIRING INFORMATION



DIMENSION (mm)

Rated Capacity	A	B	C	D	φE	φF	φG	φH	J	K	L	M	P	Q	R
20kgf·m	129	15	99	4	65	128	85	6-φ6.6	105	26	64	2	6.5	12	49.5